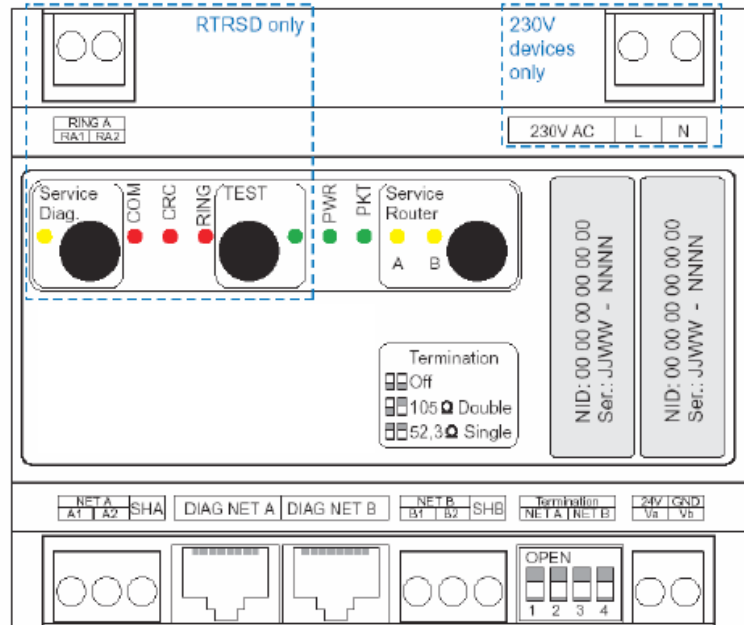


LonWorks Router Setup Guide

Setup Procedure

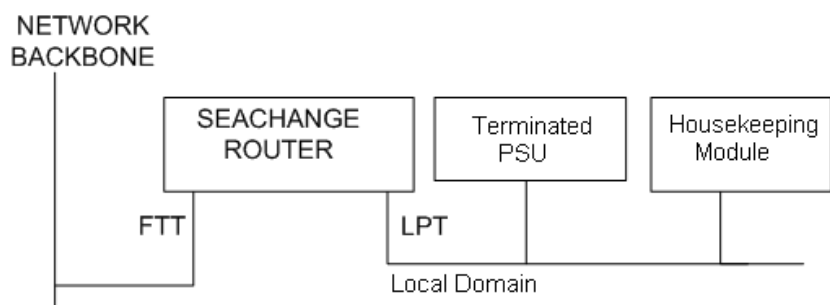
- All DIP switches should be set to the up position for the correct network termination.
- Connect a suitable 24V supply voltage to the relevant terminals on the Router module. The PWR status LED should be green.
- Connect terminals marked NET B (terminals B1 and B2) to the local domain network.
- Put the local domain SeaChange housekeeping module in registration mode and register the Router module by pressing the service pin on the device.
- Connect terminals marked NET A (terminals A1 and A2) to the network backbone.
- Subsequent domains are connected via the communications network backbone.



LED Status		Description
Service Router SR-A (SR-B)	Off	RTR-A(B) side with running application
	Flashing	RTR-A(B) side not configured
	Yellow	RTR-A(B) side without application
PKT	Green Pulses	Router is transmitting packets. The longer the green phase the more packets are transmitted.
PWR	Green	Device is switched-on, Link Power OK
	Flashing (0.5s on)	Device is switched-on, Link Power error

Note

During registration and address allocation of SeaChange modules on local domains, please disconnect the local domain from the backbone by removing terminals marked NET A to avoid any conflict or duplication of addresses with other domains (i.e. base domain). Once the registration process has been completed on the local domain, reinstate the connection on NET A.



SC Controls Ltd
 Phone 08707 606040
 Fax 08707 606041
 email sales@sccontrols.co.uk
 Web www.seachange.co.uk

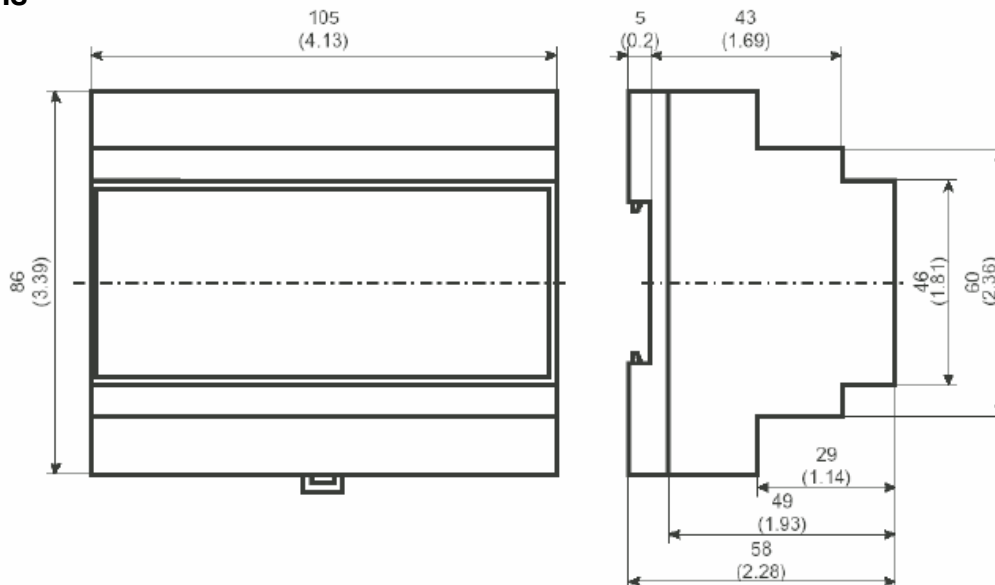
controls

Commercial Division of SeaChange

LonWorks Router

Setup Guide

Dimensions



Specification

General Electrical Data	RTRS[D] 24V	RTRS[D] 230V ¹⁾
Supply Voltage	24V AC/DC	230V AC
Absolute Limits	15 – 35V DC / 18 – 28,8V AC	180 – 253V AC
Power Consumption	< 1W / < 2 VA	< 3VA

¹⁾ The 230V variants are equipped in addition with 24V AC/DC supply voltage. By using them the absolute limit values of the 24V variants apply.

Housing		
Type	6TE mounting rail housing acc. to DIN EN 50022	
Length x Width x Height [mm]	105 x 86 x 58	
Material	Polycarbonate, Polypropylene	
Weight	24V	approx. 200g
	230V	approx. 310g

Environmental Conditions	
Operating Temperature	0..70°C (32..122°F)
Storage Temperature	-20..70°C (-4..+158°F)
Relative Humidity	0..75% (non condensing)
Degree of Protection	IP 20

Transceiver Types	
Side A	TP/FT10, Link Power compatible
Side B optional	TP/FT10, Link Power compatible or TP/XF-1250; TP/RS485 (39kBaud default; Baud rate adjustable with network management tools - e.g. ALTOroute)



SC Controls Ltd
 Phone 08707 606040
 Fax 08707 606041
 email sales@sccontrols.co.uk
 Web www.seachange.co.uk

controls

Commercial Division of *SeaChange*

SeaChange range of heating, ventilation and zone controllers are included on the Carbon Trust Energy Technology List (ETL)